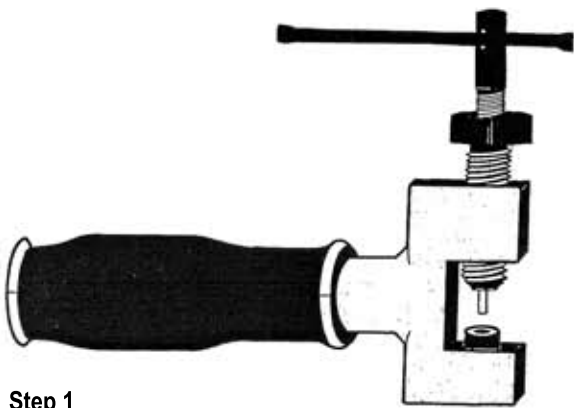
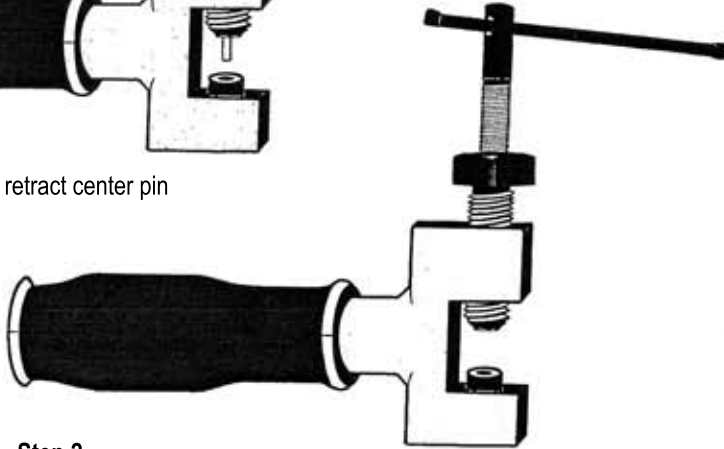


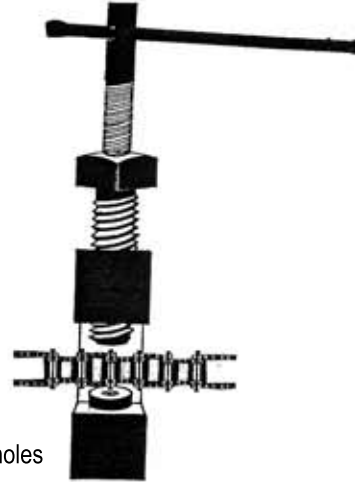
Pro-Cut Chain Break User Guide



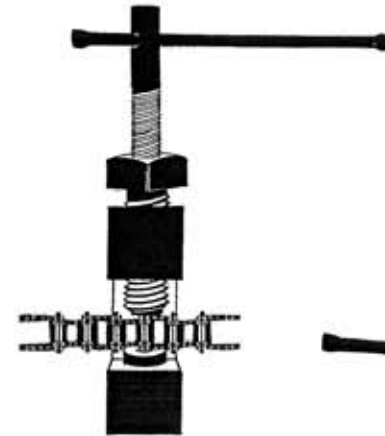
Step 1
Back-wind center shaft to retract center pin



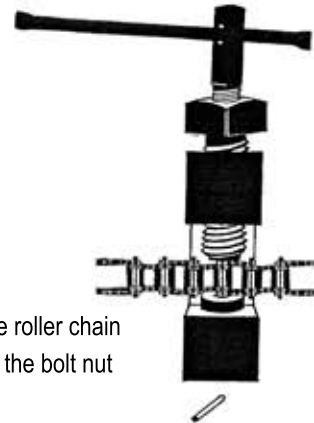
Step 2
When the center pin is no longer visible,
the tool is ready to accept the roller chain



Step 3
Line up the roller chain with the top and bottom holes



Step 4
Tighten down the bolt to lock in the roller chain by turning the bolt nut down



Step 5
Wind the center shaft clockwise until the pin is dislodged from the roller chain and falls out. Back wind the center shaft first and then back wind the bolt nut to release the separated roller chain.

Another Innovative Exclusive by

DENCO