

LJ8950W LIGHT-DUTY COMMERCIAL JACKSHAFT DOOR OPERATOR FOR ROLLING DOORS

SECTION 08 71 13



KEY FEATURES

STANDARD APPLICATION	Ideal for applications using smaller, lighter commercial rolling overhead doors and grilles with light-duty cycle requirements
RATED DUTY CYCLE	Light-duty: Up to 10 cycles/hour; fewer than 25 cycles per day
OPERATOR SPEED	7.5-8.5 Inches per second
LIMIT SETTINGS	Electronic
EMERGENCY DISCONNECT FOR MANUAL OPERATION	Emergency release rope with handle
EMERGENCY DISCONNECT WITH AUTO-RECONNECT	To reconnect, pull down on the handle again to re-engage
PROGRAMMING	Tactile buttons
CIRCUIT BOARD	Solid-state circuit board
MOTOR OPERATOR WALL CONTROL	Single-button control station
PUSH BUTTON STATION	Single-push button control

SPECIFICATIONS

RADIO RECEIVER	Security+ 2.0® technology standard on-board with tri-band frequency; accepts up to (40) single button remote controls plus up to (4) wireless keypads or an unlimited number of DIP switch remotes
VOLTAGE CONNECTIONS	120VAC
DRIVE REDUCTION	Heavy-duty 12VDC
WARRANTY	2 years

INSTALLATION FEATURES

UNIVERSAL MOUNTING	Yes, can be mounted to either the right or left side of the door without the need for any special accommodations
MAXIMUM DOOR HEIGHT	14 feet
MAXIMUM DOOR WIDTH	18 feet
MAXIMUM ALLOWABLE SQUARE FOOTAGE	180 square feet
INTERNET CONNECTIVITY	myQ® Technology enables remote monitoring and control of the commercial door via a smartphone, tablet, or computer***

This commercial door operator must feature constant pressure to close or be equipped with an external monitored entrapment protection device. Use only LiftMaster monitored entrapment protection devices itemized on the accessory page of the operators installation manual to meet UL 325 requirements.

***Operator directly connects via built-in wi-fi, myQ app required.

DATA SHEET

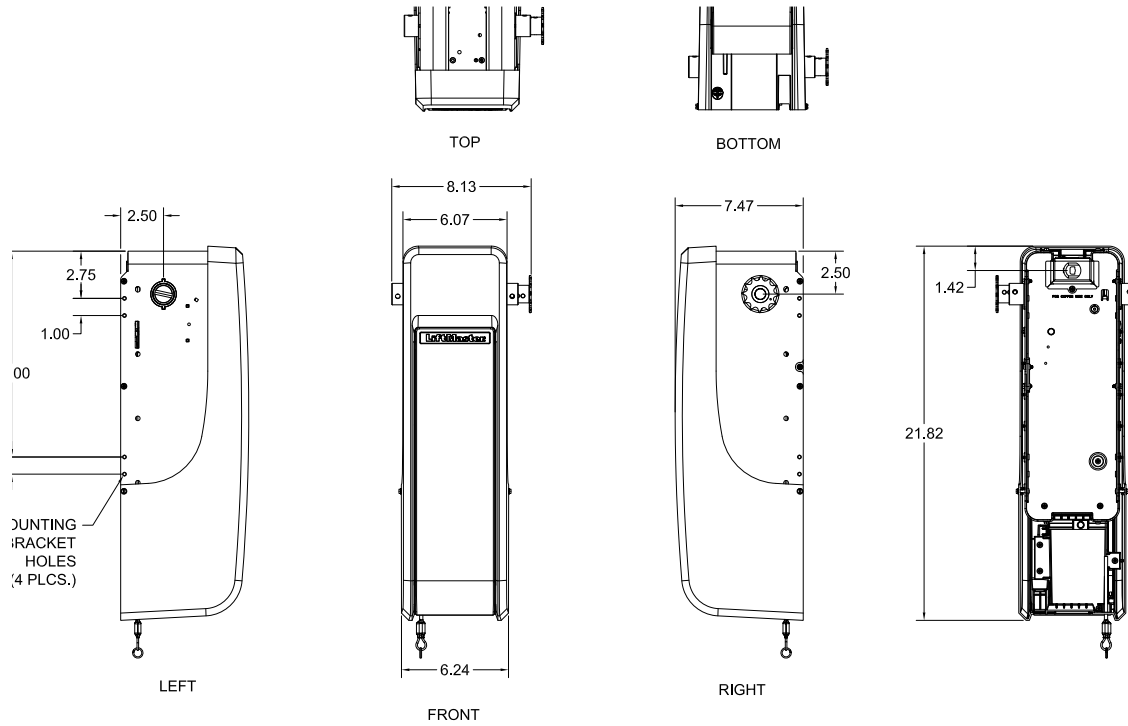
JACKSHAFT DOOR OPERATOR FOR COMMERCIAL ROLLING SHEET DOOR APPLICATION

LiftMaster

LJ8950W LIGHT-DUTY COMMERCIAL JACKSHAFT DOOR OPERATOR FOR ROLLING DOORS

SECTION 08 71 13

DIMENSIONS



CAPACITY

MAXIMUM DOOR AREA (SQ. FT.)			
	MAX. HEIGHT	MAX. WIDTH	MAX. SQ FT.
ROLLING	14 FT. OR 18 FT.		180 FT. TOTAL
	HEADROOM CLEARANCE REQUIRED: 3 IN. FROM CENTER OF TORSION BAR MAX. DOOR WEIGHT: 850 LBS.		

Recommended duty cycle: 10 cycles per hour; fewer than 25 cycles/day.